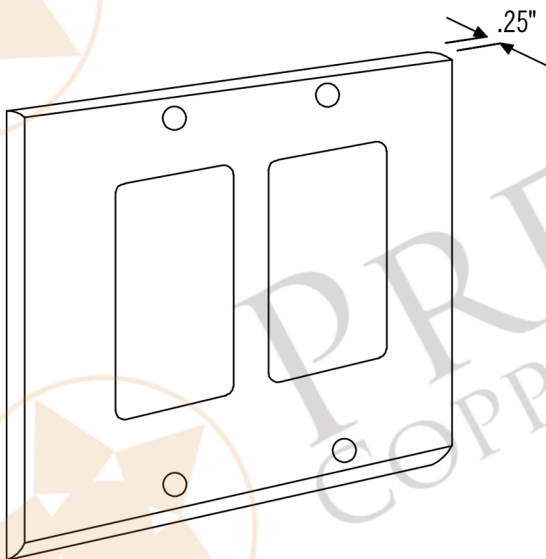
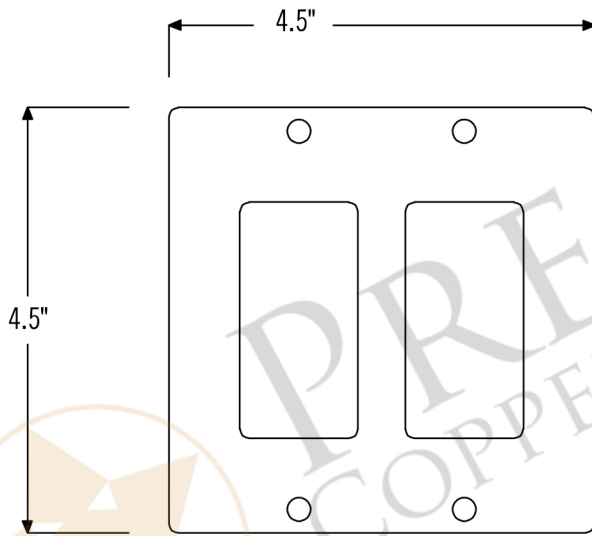




PREMIER  
COPPER PRODUCTS

MODEL NUMBER: SR2

- \* Description: Copper Double Ground Fault/Rocker GFI Switch Plate Cover
- \* Outer Dimension: 4.5" x 4.5"
- \* Finish: Oil Rubbed Bronze



THIS PRODUCT IS HAND CRAFTED, SMALL VARIANCES IN COLOR AND SIZE MAY OCCUR.