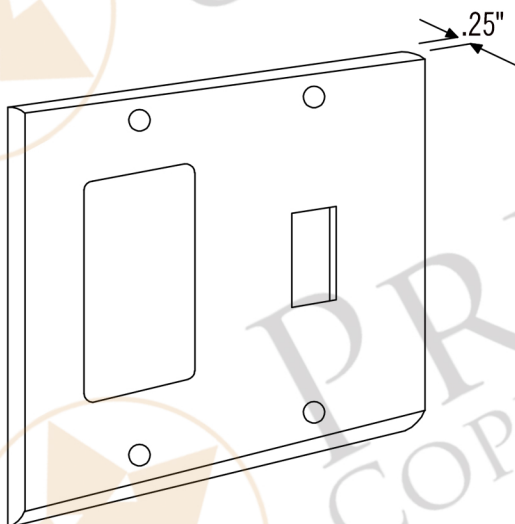
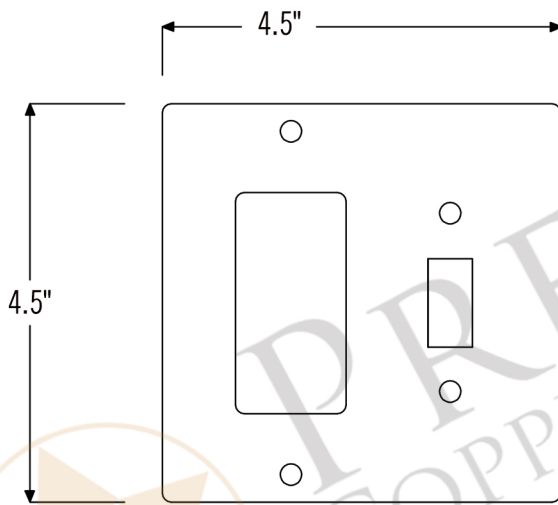




PREMIER
COPPER PRODUCTS

MODEL NUMBER: SCRT

- * Description: Copper Combination Switch Plate, 1 Hole Single Toggle Switch and Ground Fault/Rocker GFI Cover
- * Outer Dimension: 4.5" x 4.5"
- * Finish: Oil Rubbed Bronze



THIS PRODUCT IS HAND CRAFTED, SMALL VARIANCES IN COLOR AND SIZE MAY OCCUR.