



PREMIER
COPPER PRODUCTS

MODEL NUMBER: LH15.5DB

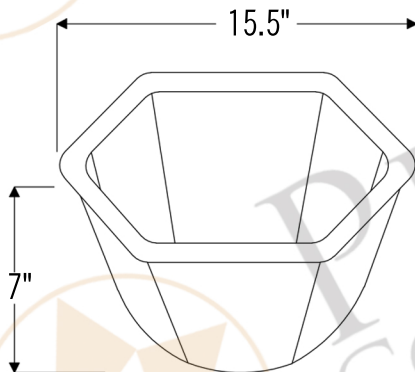
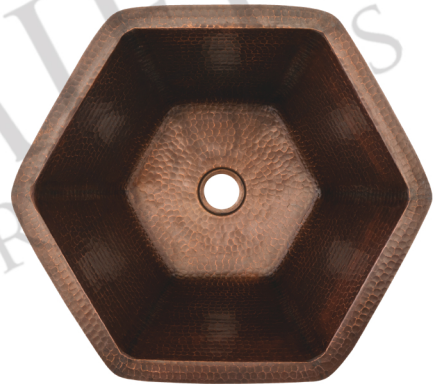
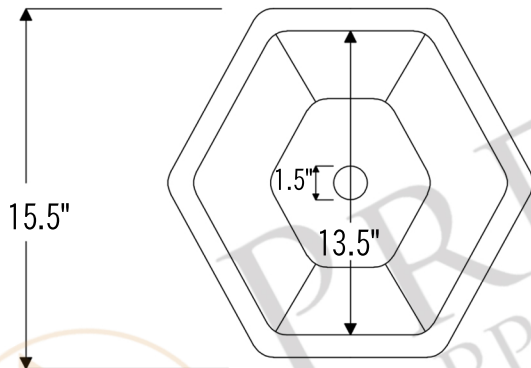
- * Description: Hexagon Under Counter Hammered Copper Sink
- * Outer Dimension: 15.5" x 15.5 x 7"
- * Inner Dimension: 13.5" x 13.5" x 7"
- * Rim: 1"
- * Drain Opening: 1.5"
- * Finish: Oil Rubbed Bronze

CODE/STANDARD COMPLIANCE

* IAPMO/cUPC LISTED



* ORB: Oil Rubbed Bronze



THIS PRODUCT IS HAND CRAFTED, SMALL VARIANCES IN COLOR AND SIZE MAY OCCUR.
DO NOT MAKE ANY INSTALLATION CUTS UNTIL YOU RECEIVE YOUR ITEM(S).